

| Ack | Time In | Time Last | Node | Tagname | Description |
|-----|--------------|--------------|--------|----------------------|----------------------|
| ✓ | 09:25:38.064 | 09:25:38.064 | LSCADA | AER_LO_DO_CONTACT_A | CONTACT ZONE LOW DO |
| ✓ | 09:18:46.820 | 09:18:46.820 | LSCADA | AER_RECYC_PUMP2_FAIL | AER RECYC PUMP2 FAIL |
| ✓ | 09:17:16.660 | 09:17:16.660 | LSCADA | AER_RECYC_PUMP3_FAIL | AER RECYC PUMP3 FAIL |

Total Alarms: 8 Filter: Off Sort: Time In, Descending Run

| | | | | | |
|---------|-------------|------------|--------------|---------------|--|
| Bio gas | Grid demand | Bisulfite | Hypochlorite | Cascades flow | Gallons of wastewater currently treated every minute |
| 101.4% | 212.0 kW | 2292 Gals. | 2675 Gals. | ???? Gals. | 5076 |



Menu

SILENCE HORN

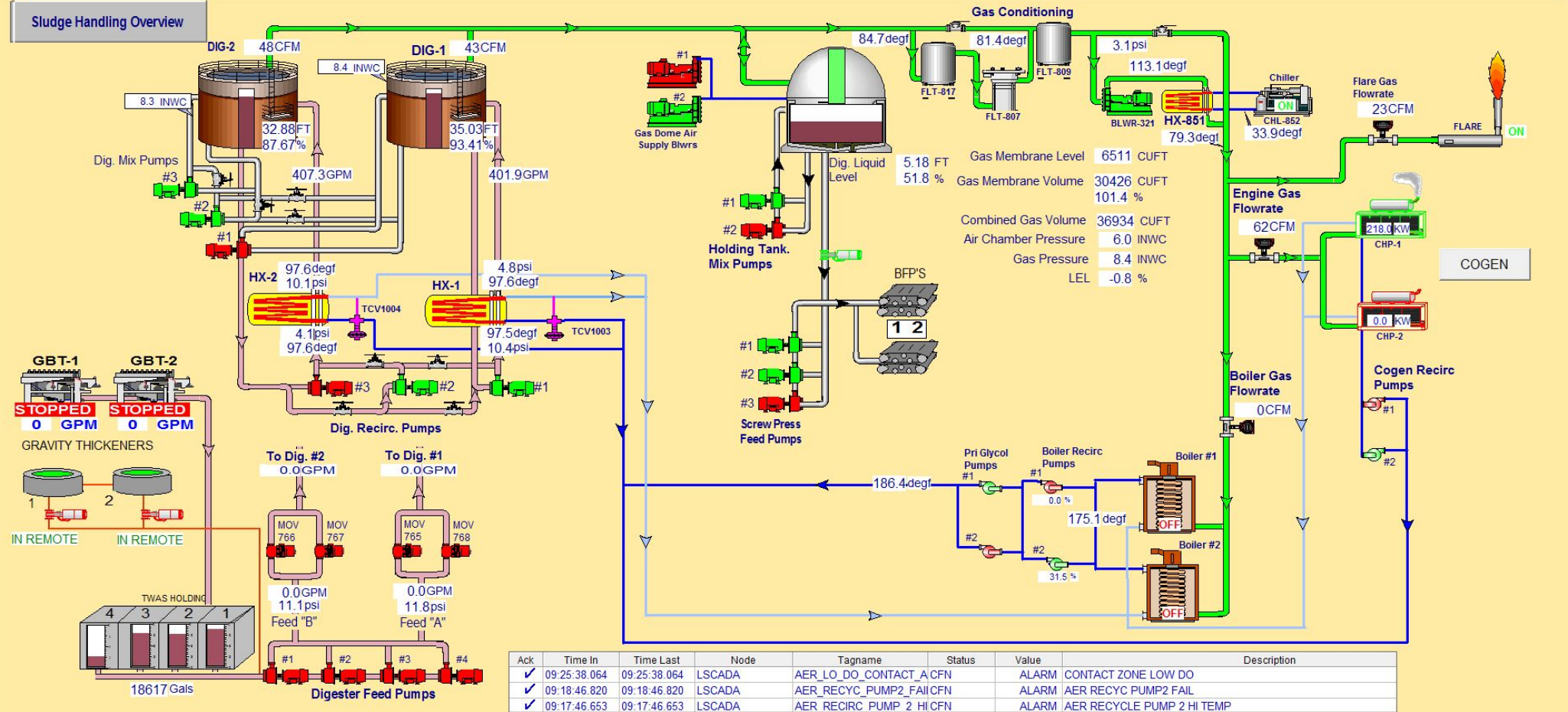
ACK ALARMS

HORN ON

Digesters and Cogen Overview

11:40:35 AM
8/16/2016

Sludge Handling Overview



| Ack | Time In | Time Last | Node | Tagname | Status | Value | Description |
|-----|--------------|--------------|--------|--------------------------|--------|----------------------------|-------------|
| ✓ | 09:25:38.064 | 09:25:38.064 | LSCADA | AER_LO_DO_CONTACT_A CFN | ALARM | CONTACT ZONE LOW DO | |
| ✓ | 09:18:46.820 | 09:18:46.820 | LSCADA | AER_RECYC_PUMP2_FAIL CFN | ALARM | AER RECYC PUMP2 FAIL | |
| ✓ | 09:17:46.653 | 09:17:46.653 | LSCADA | AER_RECIRC_PUMP_2_HI CFN | ALARM | AER RECYCLE PUMP 2 HI TEMP | |